

CONICAL STRAINERS

FOR ASME B16.5 FLANGES

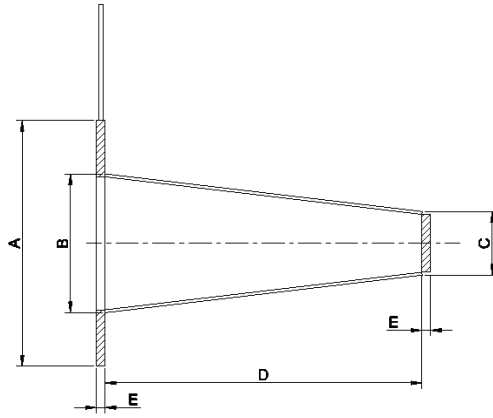


OIL&GAS

FILTER SOLUTIONS

www.stryvo.no

CONICAL STRAINERS | FOR ASME B16.5 FLANGES



Dimension E is customer input

Material Options

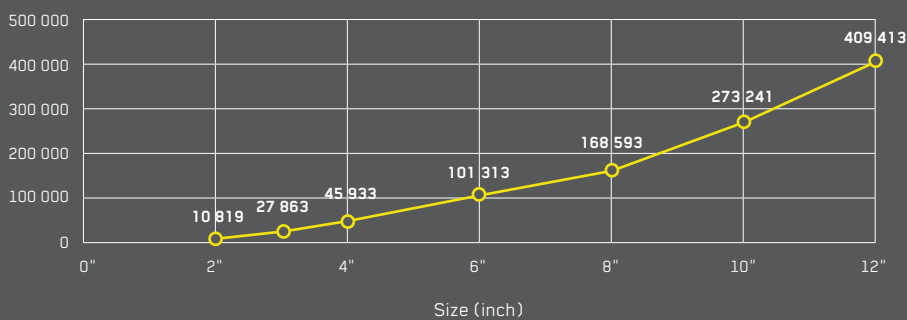
Carbon Steel
SS316
22Cr Duplex
25 Cr Duplex
Titan Gr. 2

Design Options:

Rating
Flange Face Type
Double Cone
Filtration Mesh
Rein

Size	A		B	C	D	E		Weight (kg)	
	150#	300#	150 & 300 #	150 & 300 #	150 & 300 #	150#	300#	150#	300#
2"	102	108	35	20	125	3	3	0,65	0,9
3"	132	146	68	30	180	3	3	1,2	1,8
4"	170	178	92	40	220	3	3	2	2,9
6"	218	248	140	60	320	3	3	3,9	6,8
8"	276	304	186	80	400	3	3	6,6	11,4
10"	336	359	238	100	510	4	4	10,7	17,5
12"	406	418	290	120	630	4	4	17,4	26,5

GROSS FILTER AREA (MM2)



(+47) 57 87 28 00



post@stryvo.no

www.stryvo.no

«Trusted partner for future solutions»



STRYVO
Group