

FILTER SOLUTIONS

AUTOMATIC FILTER



SEAWATER COARSE FILTER

FILTER SOLUTIONS | **AUTOMATIC FILTER**

Automatic Filter:

Automatic long life filter for seawater and suitable fluids

Description:

Fully automatic operation, incl. backwash function

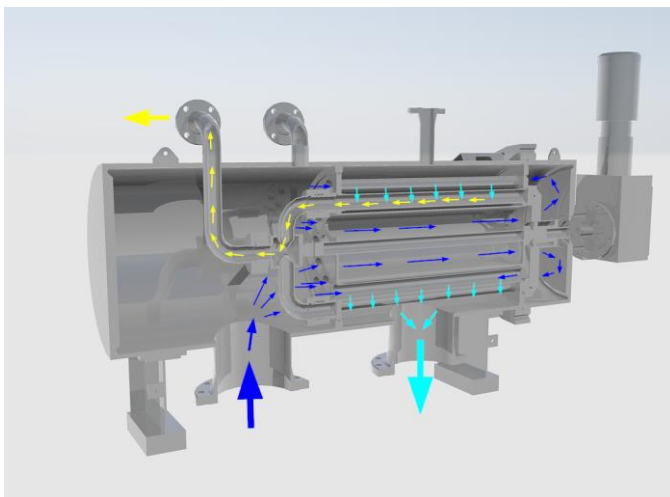
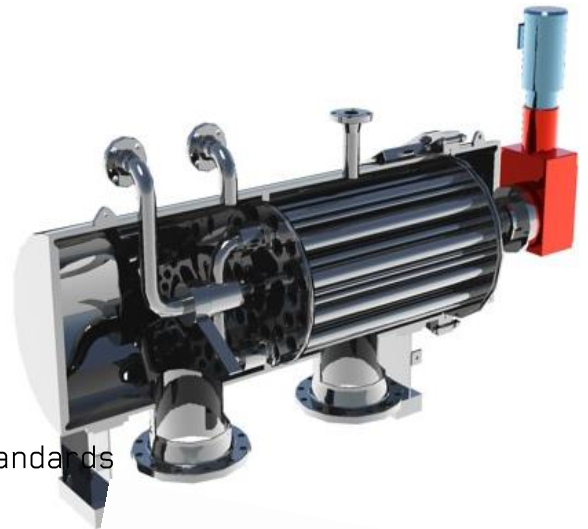
Continuous operation - no interruption during cleaning

Backflushing fase controlled by timer and/or differential pressure

Extreme durability and low maintenance requirements - low lifetime cost

Designed and manufactured to NORSOK and customers standards

Development for subsea installation in progress



Optional sparepart

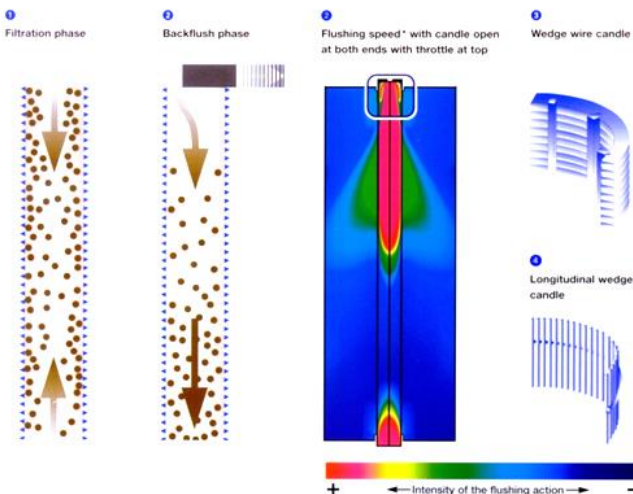


Technical specification:

Capacity	30 – 10.000 m ³ /hr	Other specifications on request
Grade of filtration	20 – 1.000 µm	
Materials	Carbon Steel SS316 22 Cr Duplex 25 Cr Duplex Nickel alloys Titanium Gr2	

Advantages:

- Flexible design allows customized solutions
- Long service intervals
- Larger filtration area compared to manual filters



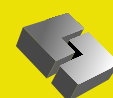
(+47) 57 87 28 00



post@stryvo.no

www.stryvo.no

«Trusted partner for future solutions»



STRYVO
Group