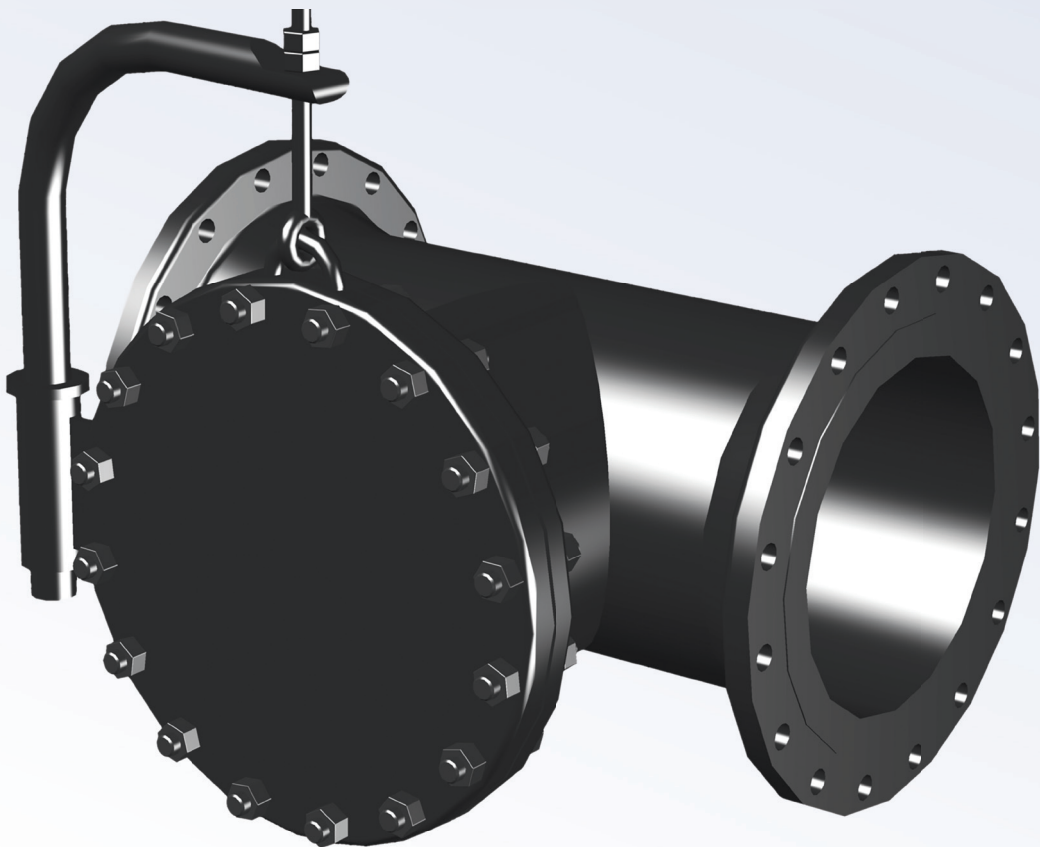


BATH TUB STRAINERS 150

FLANGED TYPE ASME B16.5

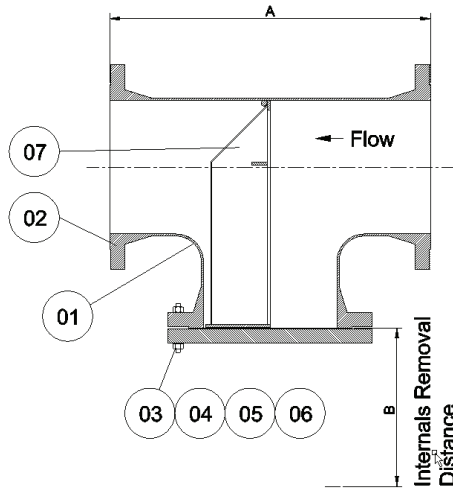
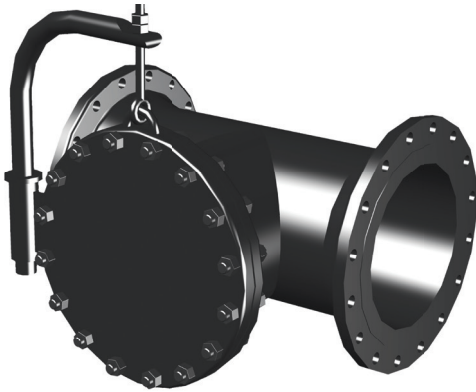


OIL&GAS

FILTER SOLUTIONS

www.stryvo.no

BATH TUB STRAINERS 150 # | FLANGED TYPE ASME B16.5



Material Options

Carbon Steel
 SS316
 22Cr Duplex
 25 Cr Duplex
 Titan Gr. 2

Size	Dim		Std Basket Design		Vessel weight	Basket weight	Ultimate Basket Design	
	A (mm)	B (mm)	Theoretical Filter Area (mm ²)	Open & Functional Filter Area @ 3 mm Filtration (mm ²)	Approx. Weight 150# @ Sch 10S (kg)	Approx. Std Basket Weight (kg)	Theoretical Filter Area (mm ²)	Open & Functional Filter Area @ 3 mm Filtration (mm ²)
4"	362	235	15568	2858	35	1,3	19292	3466
6"	464	312	44441	8502	62	2,4	54495	10144
8"	559	385	82725	16188	99	3,6	100838	19144
10"	635	450	131020	26170	158	5,1	158816	30707
12"	737	525	191895	38666	237	6,8	232041	45220
14"	813	579	238285	48093	316	8	288003	56209
16"	864	630	305698	62596	383	10,6	367980	72763
18"	965	705	394464	81039	451	13	474384	94086
20"	1051	774	489844	101164	600	15,5	588202	117220
24"	1169	883	687520	144114	647	20,7	822012	166069

Item	Description	Comment
1	Equal Tee	
2	RF WN Flange (Forged)	
3	Stud Bolt A320 L7	Standard
4	Heavy Hex Nut A194 Gr 7	Standard
5	RF Bld Flange (Forged)	
6	Gasket	To customer request
7	Filter Tub (SS316)	Optional Mesh
8	Nipo Flange (Forged)	Optional (for Drain)
9	Davit	Std for 10" and above



(+47) 57 87 28 00



post@stryvo.no

www.stryvo.no

«Trusted partner for future solutions»



STRYVO
Group